

Thank you for your choice of the Bachmann Branchline Fowler 3F 0-6-0 tender locomotive.

Running in

The mechanism of this model requires running in (without a load) for approximately 1 hour in each direction at moderate speed.

Curves

Bachmann Branchline locomotives perform best on curves of second radius or greater (approx. 18 inches / 450 mm).

Bodyshell removal

Remove the screws at front and back of the chassis as indicated on the diagrams (right).

DCC Decoder fitting to non DCC fitted loco

This model has an 21-pin socket for a decoder. Remove the DC blanking plug and fit the decoder to the pins with the black fitting uppermost. We recommend that the running in as above be carried out using a DC power supply before moving on to fit a DCC decoder

Lubrication

When required, sparingly lubricate the motor bearings using plastic compatible light oil and the gear train with model grease.

Replacement parts

When ordering parts please quote the catalogue number together with the livery of the model (if appropriate) and number of the part required.

Parts are subject to availability.

Packets of couplers (item 36-030) and buffers (item 36-032) suitable for this model are available from retailers.

The model should be handled carefully as it has many finely detailed parts. It is not suitable for persons under 14 years.

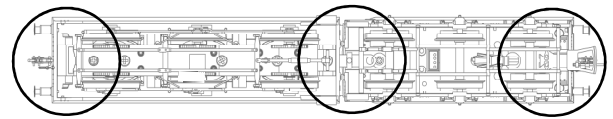
Bachmann Europe Plc

Moat Way, Barwell, Leicestershire, LE9 8EY
01455 841756

www.bachmann.co.uk

3F rev 1 07/11
E3162-IS001

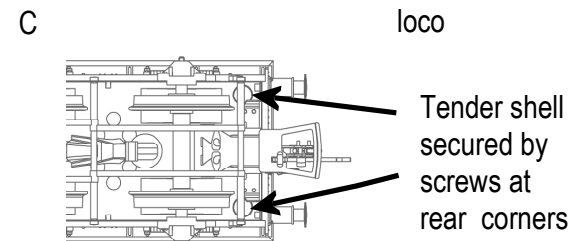
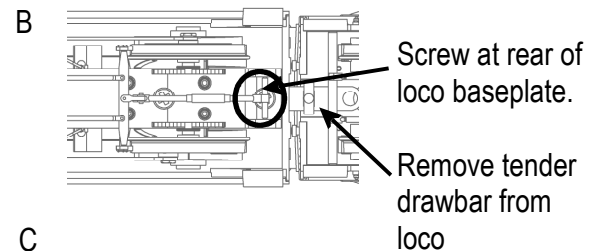
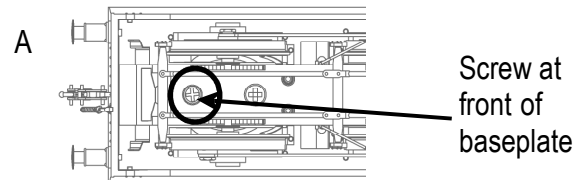
Bodyshell removal



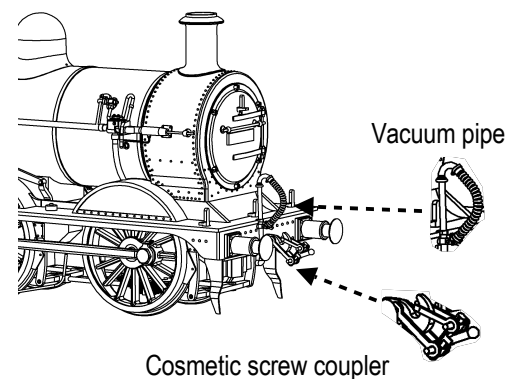
(front) A

B

C



Add-on parts

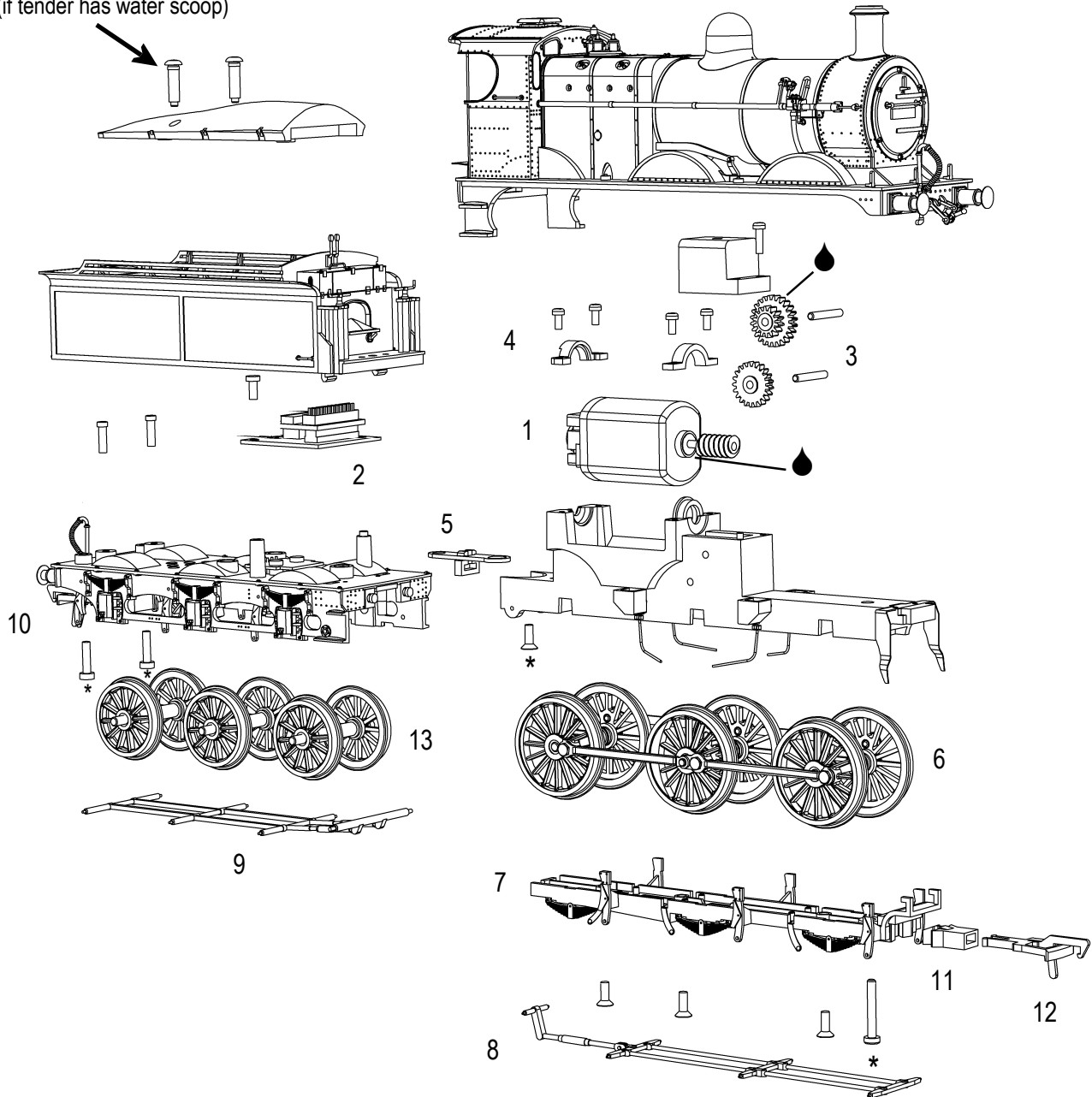


DCC Decoder fitting

Remove the DC blanking plug and fit the decoder to the pins with the black fitting uppermost.



Tender tank vents according to model
(if tender has water scoop)



* loco and tender shell securing screws

Parts

- | | | | |
|---|------------------------|----|-----------------------------|
| 1 | 625-106 motor | 8 | 625-122 loco brake rigging |
| 2 | 625-004 circuit board | 9 | 625123 tender brake rigging |
| 3 | 625-112 gears | 10 | 625-125 tender underframe |
| 4 | 625-113 motor clips | 11 | BL2006 NEM pocket |
| 5 | 625-130 drawbar | 12 | BL1999 coupling |
| 6 | 625-117 driving wheels | 13 | 625-126 tender wheels |
| 7 | 625-118 baseplate | | |